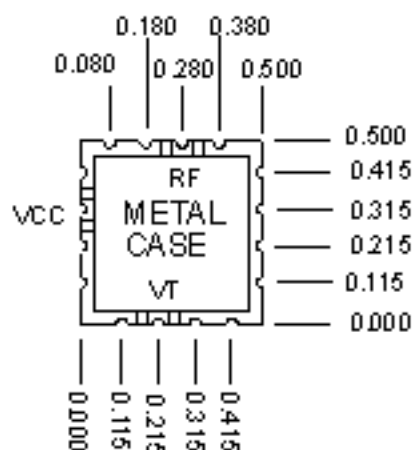
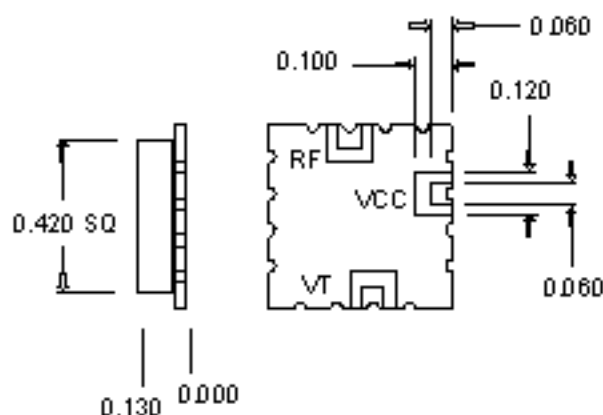


"MS" PACKAGE MINI SURFACE MOUNT VCO

TOP VIEW



BOTTOM VIEW



Notes:

1. The metal cover is a nickel / silver alloy.
2. Substrate material is "FR4".
3. Tol= +/- 0.010 inch.

Drawn by	RW	<i>Modeo, Inc.</i> 808 Packer Way Sparks, Nevada 89431	
Sheet number	1 of 1		
Scale	None	Package name	MS Package
Location	BHC	Drawing Number	040298-2
		REV	Orig